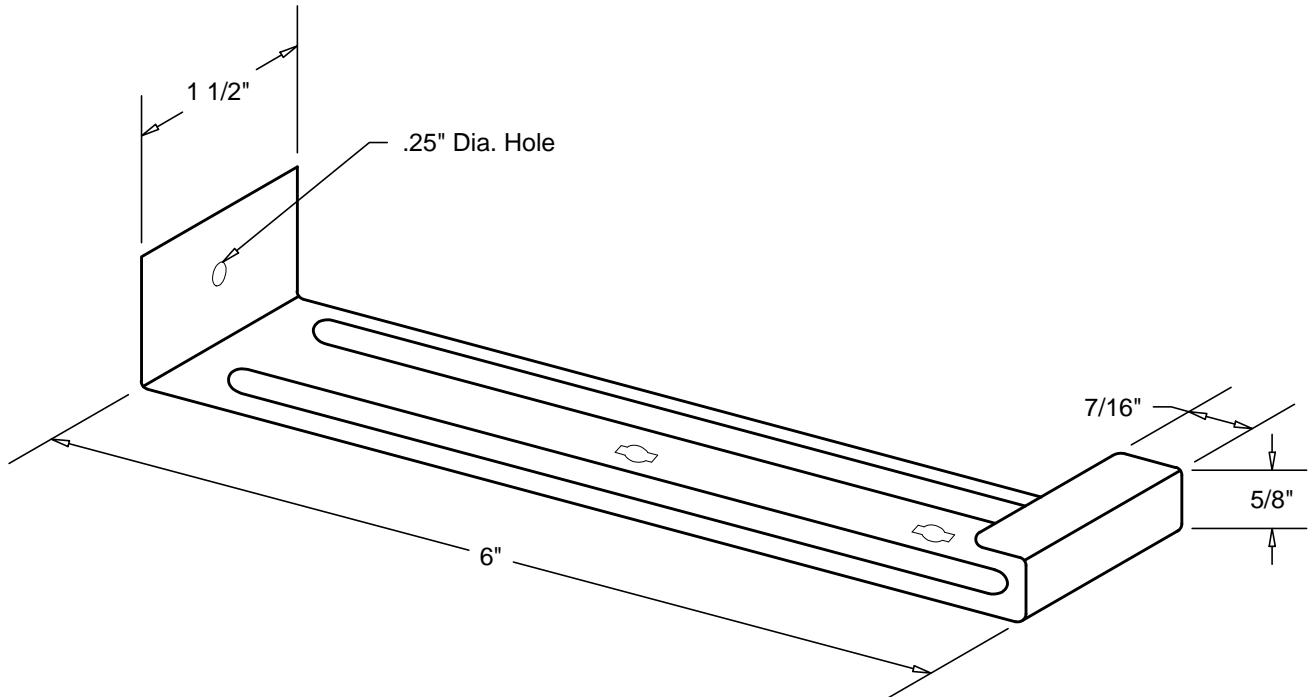


6" HIDDEN HANGER



PRINT APPROVED BY:

(SIGNATURE)

(DATE)

A SIGNED PRINT APPROVAL SIGNIFIES A CUSTOMER HAS VERIFIED ALL DIMENSIONS, SIZES, QUANTITIES, AND MATERIAL TYPES.

FABRICATION WILL PROCEED ONLY AFTER RECEIPT OF SIGNED PRINT APPROVAL

MATERIAL:

- .062" GALV. STEEL
- .062" ALUMINUM
- .048" STAINLESS. STEEL

COLOR: _____

QUANTITIES:

_____ TOTAL PCS

NOTES:

1. ALL FASTENERS SUPPLIED BY OTHERS.
2. UNLESS OTHERWISE NOTED, FABRICATION OF MITERS AND ACCESSORIES ARE FURNISHED STANDARD USING PRE-PAINTED RIVETS, THEN CAULKED.

PROJECT INFORMATION:

(PROJECT NAME)

(ARCHITECT)

(CUSTOMER)

(REPRESENTATIVE/DISTRIBUTOR)



**ROOF DRAINAGE COMPONENTS
& ACCESSORIES, INC.**

60 Don Westbrook Ave. N. • Jasper, GA 30143 • P: 706-692-7333 • F: 706-692-7335 • office@rdcaa.com • www.rdcaa.com

DATE: _____

SHEET _____ OF _____