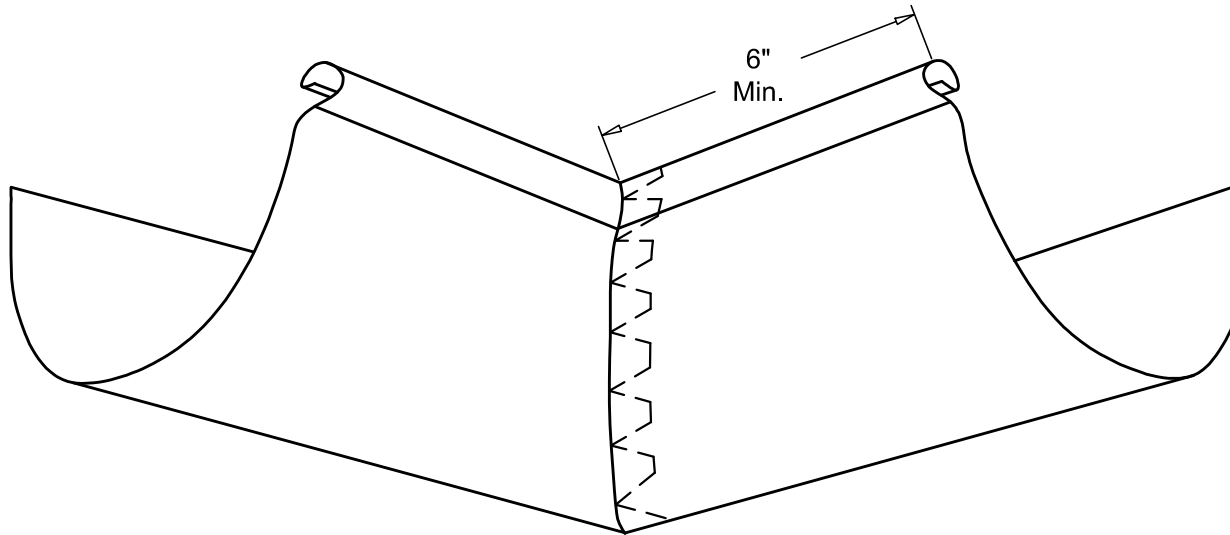
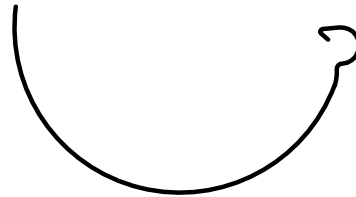


# HALF ROUND GUTTER INSIDE MITER



## PRINT APPROVED BY:

\_\_\_\_\_  
(SIGNATURE)

\_\_\_\_\_  
(DATE)

A SIGNED PRINT APPROVAL SIGNIFIES A CUSTOMER HAS VERIFIED ALL DIMENSIONS, SIZES, QUANTITIES, AND MATERIAL TYPES.

FABRICATION WILL PROCEED ONLY AFTER RECEIPT OF SIGNED PRINT APPROVAL

## MATERIAL:

- |   |   |
|---|---|
| <input type="checkbox"/> 26GA GALV. STEEL | <input type="checkbox"/> .032" ALUMINUM       |
| <input type="checkbox"/> 24GA GALV. STEEL | <input type="checkbox"/> .040" ALUMINUM       |
| <input type="checkbox"/> 22GA GALV. STEEL | <input type="checkbox"/> .050" ALUMINUM       |
| <input type="checkbox"/> 16OZ COPPER      | <input type="checkbox"/> 26GA STAINLESS STEEL |
| <input type="checkbox"/> 20OZ COPPER      | <input type="checkbox"/> 24GA STAINLESS STEEL |
|   | <input type="checkbox"/> 22GA STAINLESS STEEL |

COLOR: \_\_\_\_\_

## QUANTITIES:

\_\_\_\_\_ TOTAL PCS

- 5" HALF ROUND
- 6" HALF ROUND
- 7" HALF ROUND
- 8" HALF ROUND
- 9" HALF ROUND
- 10" HALF ROUND
- 11" HALF ROUND
- 12" HALF ROUND

## NOTES:

- ALL FASTENERS SUPPLIED BY OTHERS.
- UNLESS OTHERWISE NOTED, FABRICATION OF MITERS AND ACCESSORIES ARE FURNISHED STANDARD USING PRE-PAINTED RIVETS, THEN CAULKED.

## PROJECT INFORMATION:

\_\_\_\_\_  
(PROJECT NAME)

\_\_\_\_\_  
(ARCHITECT)

\_\_\_\_\_  
(CUSTOMER)

\_\_\_\_\_  
(REPRESENTATIVE/DISTRIBUTOR)

DATE: \_\_\_\_\_

SHEET \_\_\_\_\_ OF \_\_\_\_\_



**RDCA**  
ROOF DRAINAGE COMPONENTS & ACCESSORIES

Roof Drainage Components & Accessories  
60 Don Westbrook Ave., North  
Jasper, GA 30143  
Phone: 706-692-7333  
Fax: 706-692-7335  
Email: sales@rdcaa.com