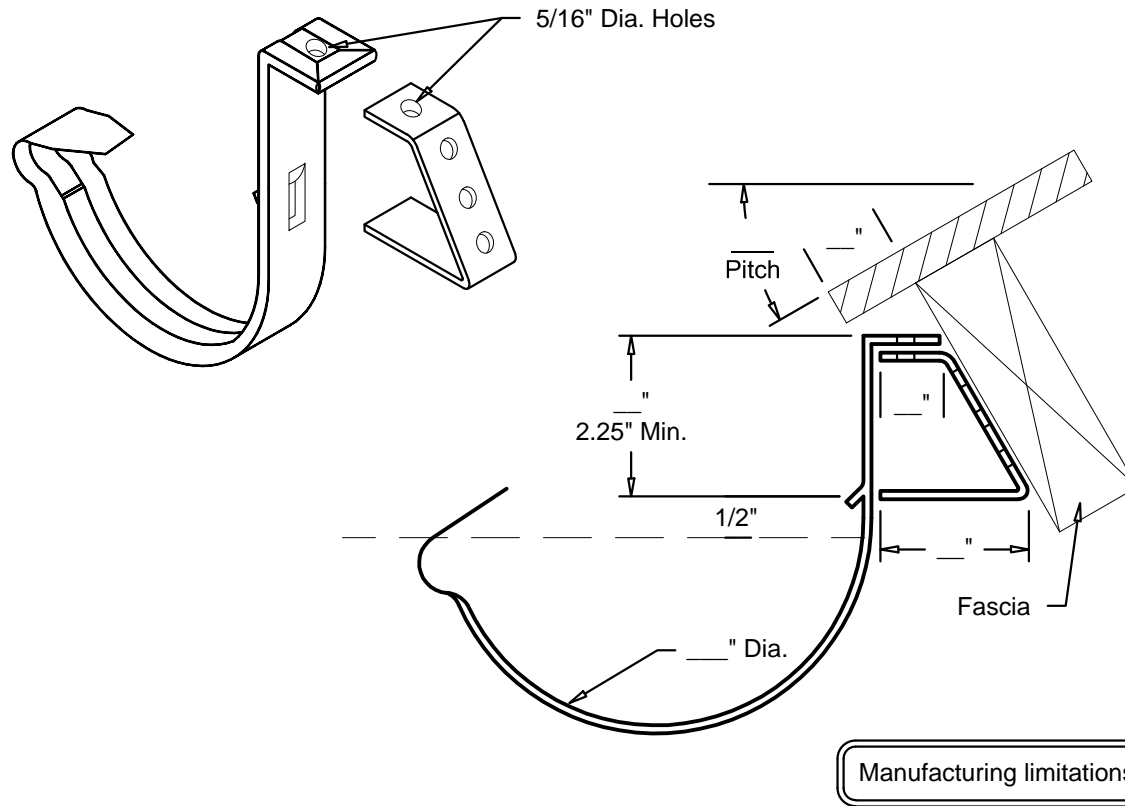


**HALF ROUND GUTTER SUPPORT BRACKET  
NON VERTICAL FASCIA W/ C SUPPORT**  
(Wrapped in metal to match gutter)



PRINT APPROVED BY:

(SIGNATURE)

(DATE)

A SIGNED PRINT APPROVAL SIGNIFIES A CUSTOMER HAS VERIFIED ALL DIMENSIONS, SIZES, QUANTITIES, AND MATERIAL TYPES.

FABRICATION WILL PROCEED ONLY AFTER RECEIPT OF SIGNED PRINT APPROVAL

**MATERIAL:**

BAR STOCK

- .1875" X 1" GALV. STEEL
- .1875" X 1" STAINLESS STEEL

WRAP

- GALV. STEEL
- ALUMINUM
- STAINLESS STEEL
- COPPER

COLOR: \_\_\_\_\_

**QUANTITIES:**

\_\_\_\_\_ TOTAL PCS

**NOTES:**

1. ALL FASTENERS SUPPLIED BY OTHERS.
2. UNLESS OTHERWISE NOTED, FABRICATION OF MITERS AND ACCESSORIES ARE FURNISHED STANDARD USING PRE-PAINTED RIVETS, THEN CAULKED.

**PROJECT INFORMATION:**

\_\_\_\_\_ (PROJECT NAME)

\_\_\_\_\_ (ARCHITECT)

\_\_\_\_\_ (CUSTOMER)

\_\_\_\_\_ (REPRESENTATIVE/DISTRIBUTOR)

DATE: \_\_\_\_\_

SHEET \_\_\_\_\_ OF \_\_\_\_\_



**RDCA**

ROOF DRAINAGE COMPONENTS & ACCESSORIES

Roof Drainage Components & Accessories  
60 Don Westbrook Ave., North  
Jasper, GA 30143  
Phone: 706-692-7333  
Fax: 706-692-7335  
Email: sales@rdcaa.com