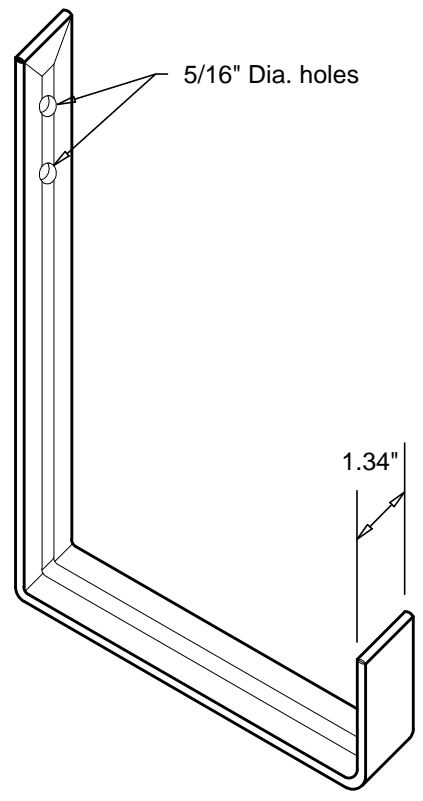
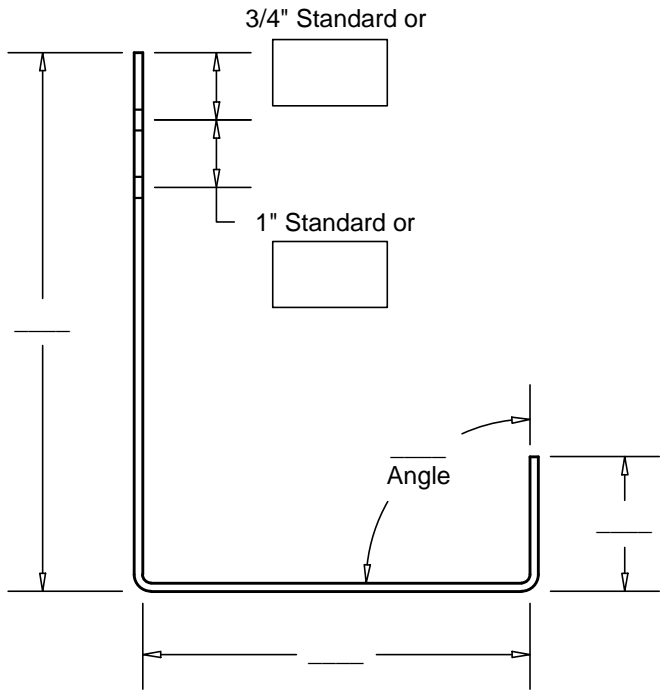


BOX GUTTER SUPPORT BRACKET - .125" X 1" BAR STOCK (Wrapped in metal to match gutter)



NOTE: BRACKET ALSO AVAILABLE WITH ROOF FLANGE.

PRINT APPROVED BY:

(SIGNATURE) _____ (DATE)

A SIGNED PRINT APPROVAL SIGNIFIES A CUSTOMER HAS VERIFIED ALL DIMENSIONS, SIZES, QUANTITIES, AND MATERIAL TYPES.

FABRICATION WILL PROCEED ONLY AFTER RECEIPT OF SIGNED PRINT APPROVAL

MATERIAL:

- | BAR STOCK | WRAP |
|---|--|
| <input type="checkbox"/> .125" X 1" GALV. STEEL | <input type="checkbox"/> GALV. STEEL |
| <input type="checkbox"/> .125" X 1" STAINLESS STEEL | <input type="checkbox"/> ALUMINUM |
| | <input type="checkbox"/> STAINLESS STEEL |
| | <input type="checkbox"/> COPPER |

COLOR: _____

QUANTITIES:

_____ TOTAL PCS

NOTES:

1. ALL FASTENERS SUPPLIED BY OTHERS.
2. UNLESS OTHERWISE NOTED, FABRICATION OF MITERS AND ACCESSORIES ARE FURNISHED STANDARD USING PRE-PAINTED RIVETS, THEN CAULKED.

PROJECT INFORMATION:

(PROJECT NAME)

(ARCHITECT)

(CUSTOMER)

(REPRESENTATIVE/DISTRIBUTOR)

DATE: _____

SHEET _____ OF _____



RDCA
ROOF DRAINAGE COMPONENTS & ACCESSORIES

Roof Drainage Components & Accessories
60 Don Westbrook Ave., North
Jasper, GA 30143
Phone: 706-692-7333
Fax: 706-692-7335
Email: sales@rdcaa.com