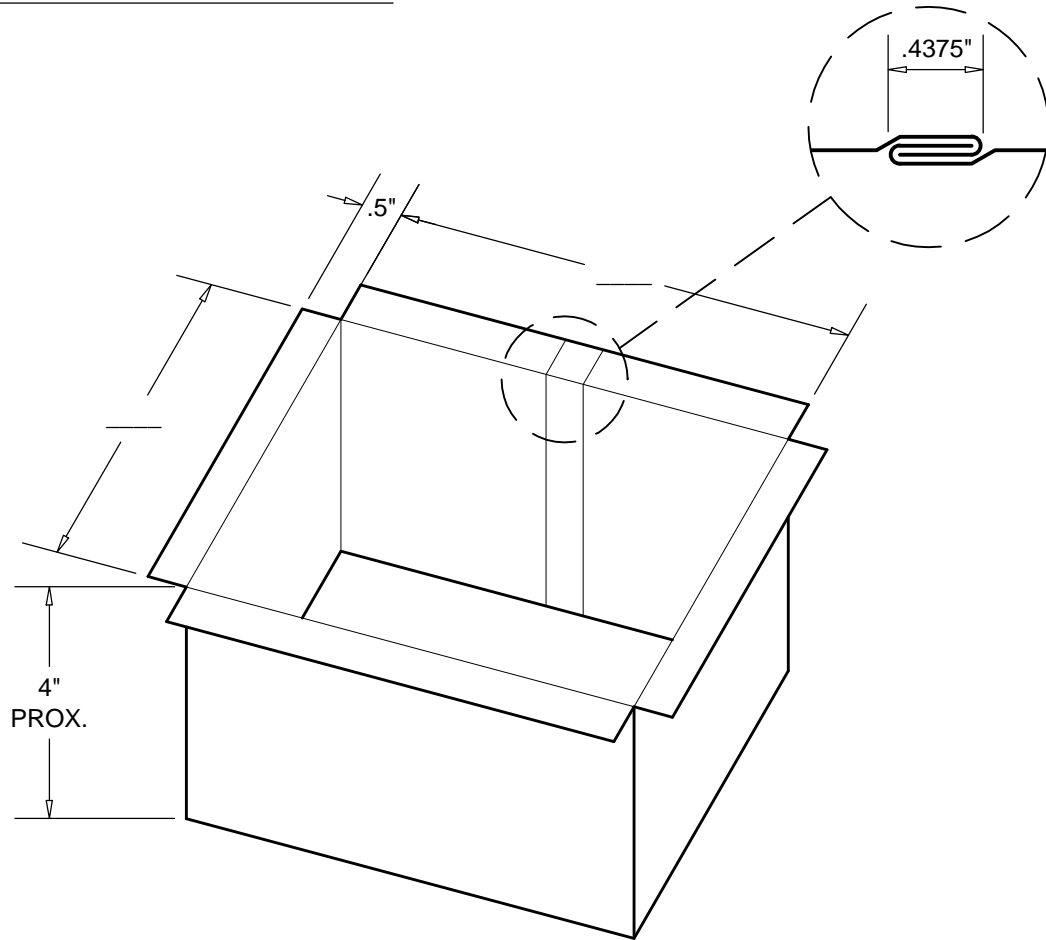


BOX DOWNSPOUT OUTLET



PRINT APPROVED BY:

(SIGNATURE)

(DATE)

A SIGNED PRINT APPROVAL SIGNIFIES A CUSTOMER HAS VERIFIED ALL DIMENSIONS, SIZES, QUANTITIES, AND MATERIAL TYPES.

FABRICATION WILL PROCEED ONLY AFTER RECEIPT OF SIGNED PRINT APPROVAL

MATERIAL:

- | | |
|---|---|
| <input type="checkbox"/> 26GA GALV. STEEL | <input type="checkbox"/> .032" ALUMINUM |
| <input type="checkbox"/> 24GA GALV. STEEL | <input type="checkbox"/> .040" ALUMINUM |
| <input type="checkbox"/> 22GA GALV. STEEL | <input type="checkbox"/> .050" ALUMINUM |
| <input type="checkbox"/> 16OZ COPPER | <input type="checkbox"/> .063" ALUMINUM |
| <input type="checkbox"/> 20OZ COPPER | <input type="checkbox"/> 26GA STAINLESS STEEL |
| <input type="checkbox"/> 24OZ COPPER | <input type="checkbox"/> 24GA STAINLESS STEEL |

COLOR: _____

QUANTITIES:

_____ TOTAL PCS

NOTES:

1. ALL FASTENERS SUPPLIED BY OTHERS.
2. UNLESS OTHERWISE NOTED, FABRICATION OF MITERS AND ACCESSORIES ARE FURNISHED STANDARD USING PRE-PAINTED RIVETS, THEN CAULKED.

PROJECT INFORMATION:

(PROJECT NAME)

(ARCHITECT)

(CUSTOMER)

(REPRESENTATIVE/DISTRIBUTOR)

DATE: _____

SHEET _____ OF _____



RDCA
ROOF DRAINAGE COMPONENTS & ACCESSORIES

Roof Drainage Components & Accessories
60 Don Westbrook Ave., North
Jasper, GA 30143
Phone: 706-692-7333
Fax: 706-692-7335
Email: sales@rdcaa.com