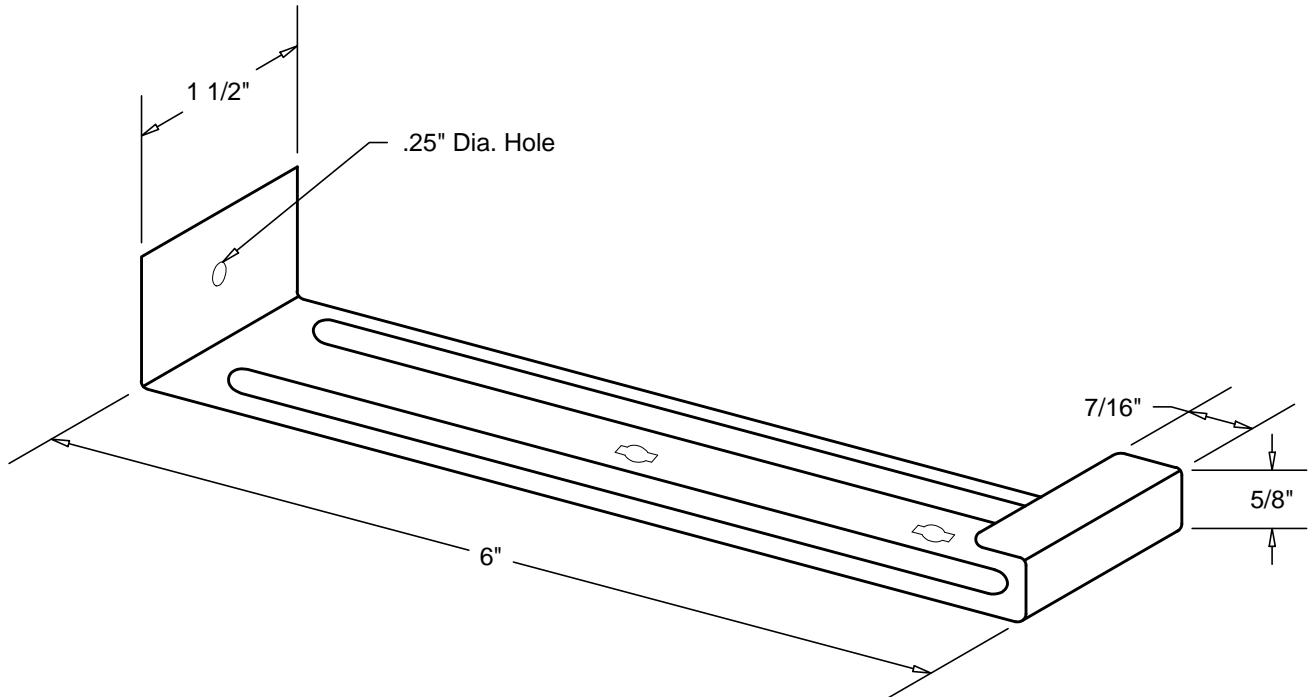


# 6" HIDDEN HANGER



## PRINT APPROVED BY:

\_\_\_\_\_  
(SIGNATURE)

\_\_\_\_\_  
(DATE)

A SIGNED PRINT APPROVAL SIGNIFIES A CUSTOMER HAS VERIFIED ALL DIMENSIONS, SIZES, QUANTITIES, AND MATERIAL TYPES.

FABRICATION WILL PROCEED ONLY AFTER RECEIPT OF SIGNED PRINT APPROVAL

## MATERIAL:

- .062" GALV. STEEL
- .062" ALUMINUM
- .062" STAINLESS STEEL

COLOR: \_\_\_\_\_

## QUANTITIES:

\_\_\_\_\_ TOTAL PCS

## NOTES:

1. ALL FASTENERS SUPPLIED BY OTHERS.
2. UNLESS OTHERWISE NOTED, FABRICATION OF MITERS AND ACCESSORIES ARE FURNISHED STANDARD USING PRE-PAINTED RIVETS, THEN CAULKED.

## PROJECT INFORMATION:

\_\_\_\_\_  
(PROJECT NAME)

\_\_\_\_\_  
(ARCHITECT)

\_\_\_\_\_  
(CUSTOMER)

\_\_\_\_\_  
(REPRESENTATIVE/DISTRIBUTOR)

DATE: \_\_\_\_\_

SHEET \_\_\_\_\_ OF \_\_\_\_\_



**RDCA**  
ROOF DRAINAGE COMPONENTS & ACCESSORIES

Roof Drainage Components & Accessories  
60 Don Westbrook Ave., North  
Jasper, GA 30143  
Phone: 706-692-7333  
Fax: 706-692-7335  
Email: sales@rdcaa.com