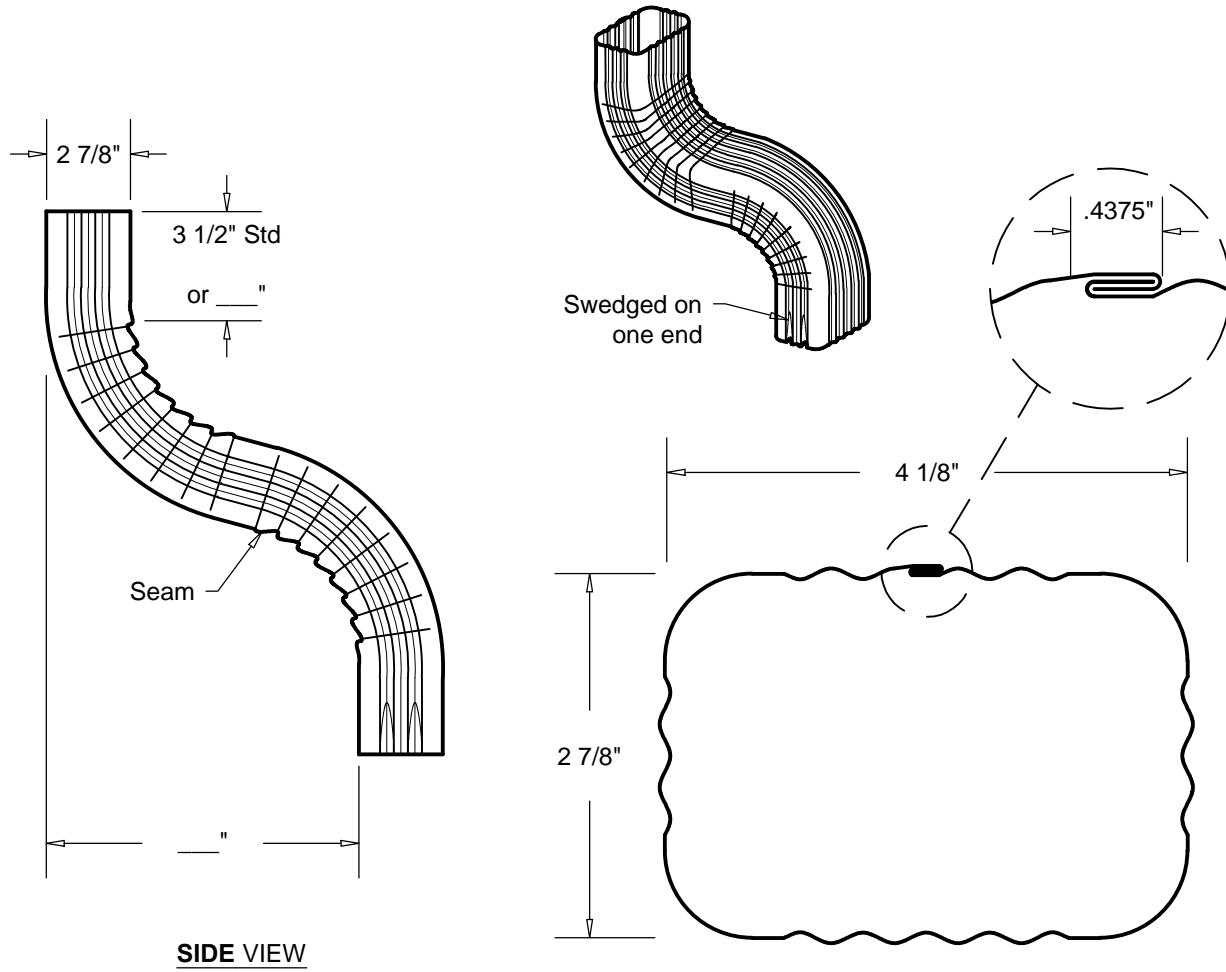


3" X 4" CORRUGATED DOWN "A" STYLE OFFSET



SIDE VIEW

PRINT APPROVED BY:

(SIGNATURE) _____ (DATE)

A SIGNED PRINT APPROVAL SIGNIFIES A CUSTOMER HAS VERIFIED ALL DIMENSIONS, SIZES, QUANTITIES, AND MATERIAL TYPES.

FABRICATION WILL PROCEED ONLY AFTER RECEIPT OF SIGNED PRINT APPROVAL

MATERIAL:

- 29GA GALV. STEEL
- 26GA GALV. STEEL
- 24GA GALV. STEEL
- 16OZ COPPER
- 20OZ COPPER
- .032" ALUMINUM

COLOR: _____

QUANTITIES:

_____ TOTAL PCS

NOTES:

1. ALL FASTENERS SUPPLIED BY OTHERS.
2. UNLESS OTHERWISE NOTED, FABRICATION OF MITERS AND ACCESSORIES ARE FURNISHED STANDARD USING PRE-PAINTED RIVETS, THEN CAULKED.

PROJECT INFORMATION:

(PROJECT NAME)

(ARCHITECT)

(CUSTOMER)

(REPRESENTATIVE/DISTRIBUTOR)



RDCA
ROOF DRAINAGE COMPONENTS & ACCESSORIES

Roof Drainage Components & Accessories
60 Don Westbrook Ave., North
Jasper, GA 30143
Phone: 706-692-7333
Fax: 706-692-7335
Email: sales@rdcaa.com

DATE: _____

SHEET _____ OF _____