

PROJECT: _____
 ARCHITECT: _____
 CONTRACTOR: _____
 CONTACT: _____
 PHONE: _____

METAL SELECTION

STEEL:
 ALUMINUM:
 COPPER:

METAL FINISH

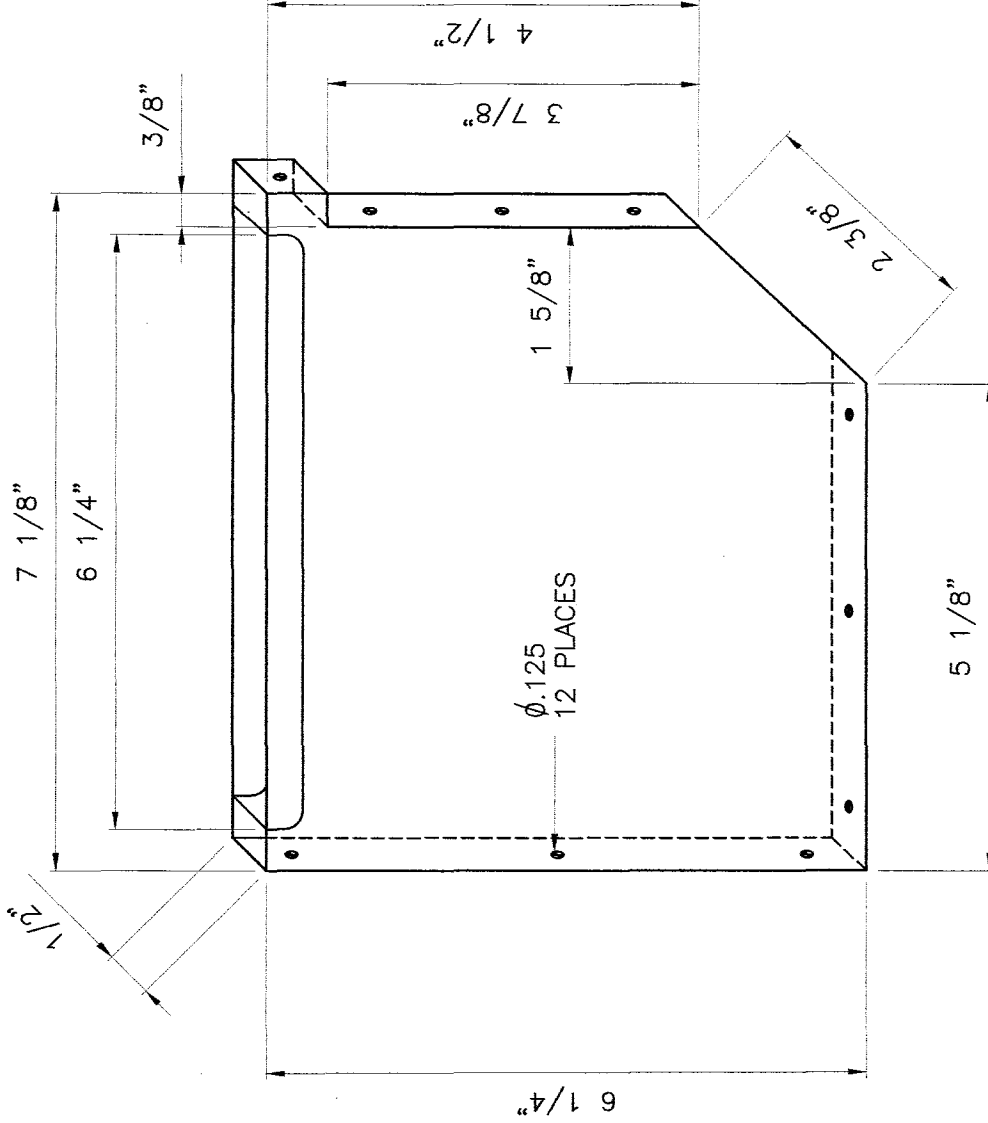
- KYNAR 500/HYLAR 5000[®]
- SILICONIZED MODIFIED POLYESTER
- GALVALUME (UNPAINTED)
- GALVANIZED-G90 (UNPAINTED)
- MILL FINISH ALUMINUM
- OTHER: _____

[®] KYNAR 500 IS A REGISTERED TRADEMARK OF ELI AUTOCHEM NORTH AMERICA, INC.
[®] HYLAR 5000 IS A REGISTERED TRADEMARK OF AUSIMONT USA.

ROOF DRAINAGE COMPONENTS & ACCESSORIES, INC

60 Don Westbrook Ave. N.
 Jasper, GA 30143
 Phone: 706-692-7333
 Fax: 706-692-7335
 www.roofdrainagecomp.com

7" D-STYLE MODIFIED BOX END CAP



ACTUAL DIMENSIONS AND/OR ANGLES MAY VARY SLIGHTLY FROM THOSE DEPICTED.