

PROJECT: _____
 ARCHITECT: _____
 CONTRACTOR: _____
 CONTACT: _____
 PHONE: _____

METAL SELECTION

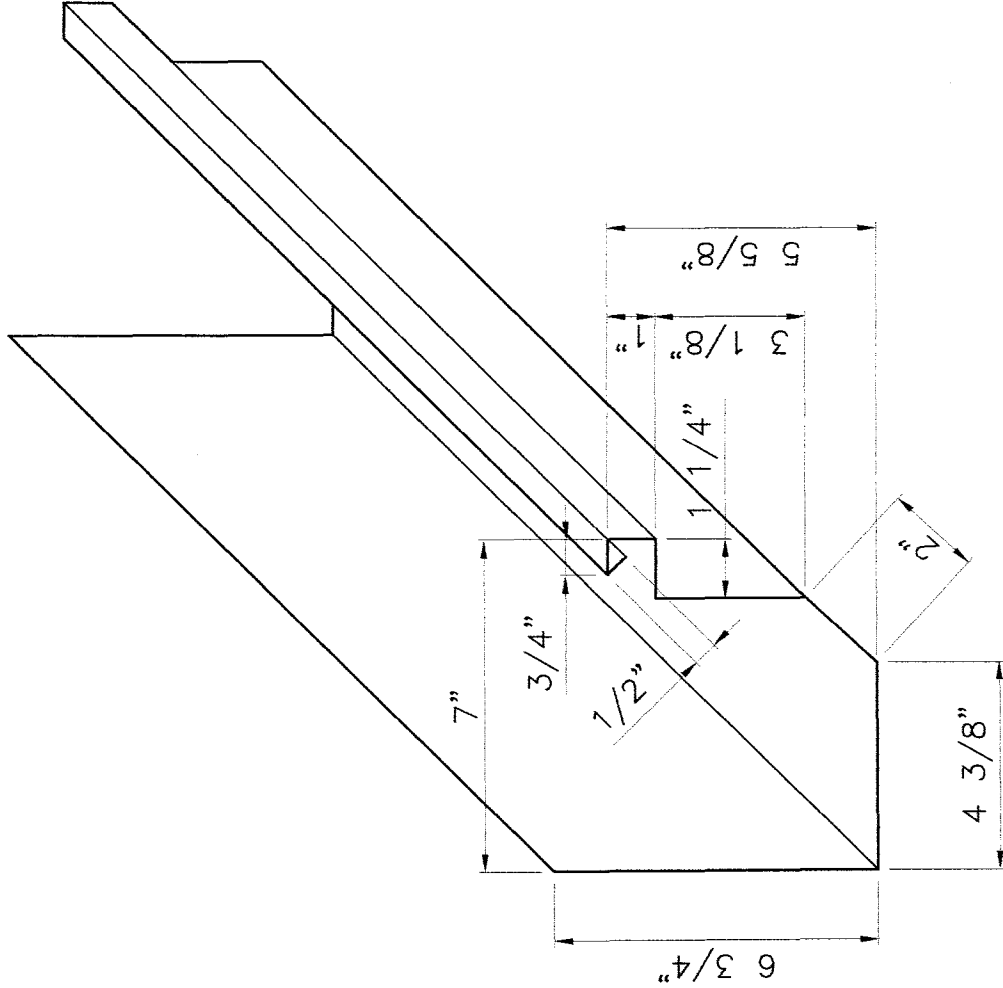
STEEL: 22 GAUGE 24 GAUGE 26 GAUGE
 28/29 GAUGE
 ALUMINUM: .032" .040" .050" .063"
 COPPER: 16 OUNCE 20 OUNCE
 STAINLESS: 26 GAUGE 28 GAUGE

METAL FINISH

KYNAR 500/HYLAR 5000[®]
 SILICONIZED MODIFIED POLYESTER
 GALVALUME (UNPAINTED)
 GALVANIZED-G90 (UNPAINTED)
 MILL FINISH ALUMINUM
 OTHER: _____
[®] KYNAR 500 IS A REGISTERED TRADEMARK OF ELI AUTOCHEM
 NORTH AMERICA, INC.
[®] HYLAR 5000 IS A REGISTERED TRADEMARK OF AUSIMONT USA.

**ROOF DRAINAGE
 COMPONENTS & ACCESSORIES, INC**

60 Don Westbrook Ave. N.
 Jasper, GA 30143
 Phone: 706-692-7333
 Fax: 706-692-7335
 www.roofdrainagecomp.com



ACTUAL DIMENSIONS AND/OR ANGLES MAY VARY SLIGHTLY FROM THOSE DEPICTED.

7" D-STYLE BOX GUTTER