

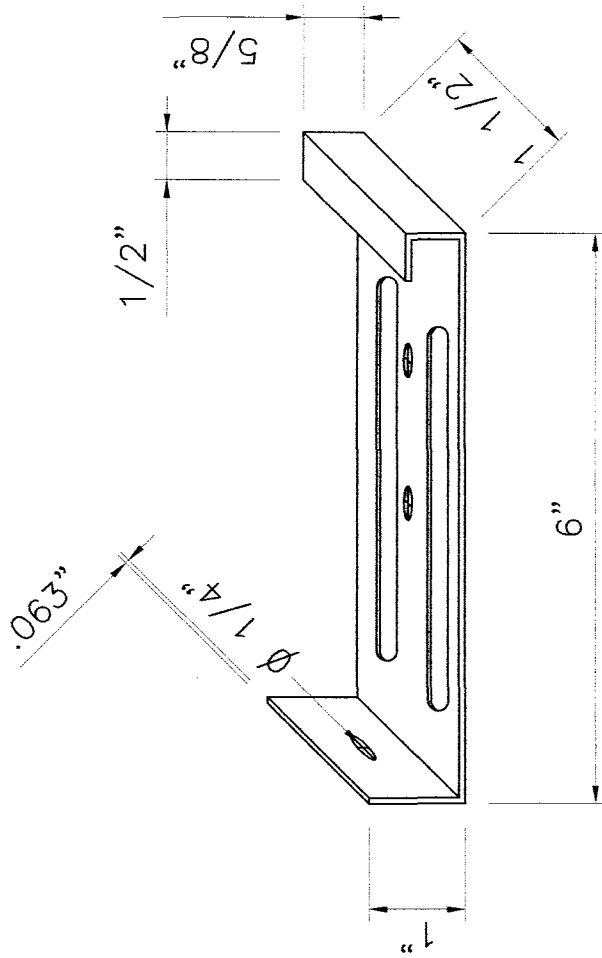
PROJECT: \_\_\_\_\_  
 ARCHITECT: \_\_\_\_\_  
 CONTRACTOR: \_\_\_\_\_  
 CONTACT: \_\_\_\_\_  
 PHONE: \_\_\_\_\_

METAL SELECTION

- STEEL
- ALUMINUM
- COPPER

**ROOF DRAINAGE  
 COMPONENTS & ACCESSORIES, INC**

60 Don Westbrook Ave. N.  
 Jasper, GA 30143  
 Phone: 706-692-7333  
 Fax: 706-692-7335  
 www.roofdrainagecomp.com



ACTUAL DIMENSIONS AND/OR ANGLES MAY VARY SLIGHTLY FROM THOSE DEPICTED.

**6" HIDDEN HANGER**