

PROJECT: \_\_\_\_\_  
 ARCHITECT: \_\_\_\_\_  
 CONTRACTOR: \_\_\_\_\_  
 CONTACT: \_\_\_\_\_  
 PHONE: \_\_\_\_\_

METAL SELECTION

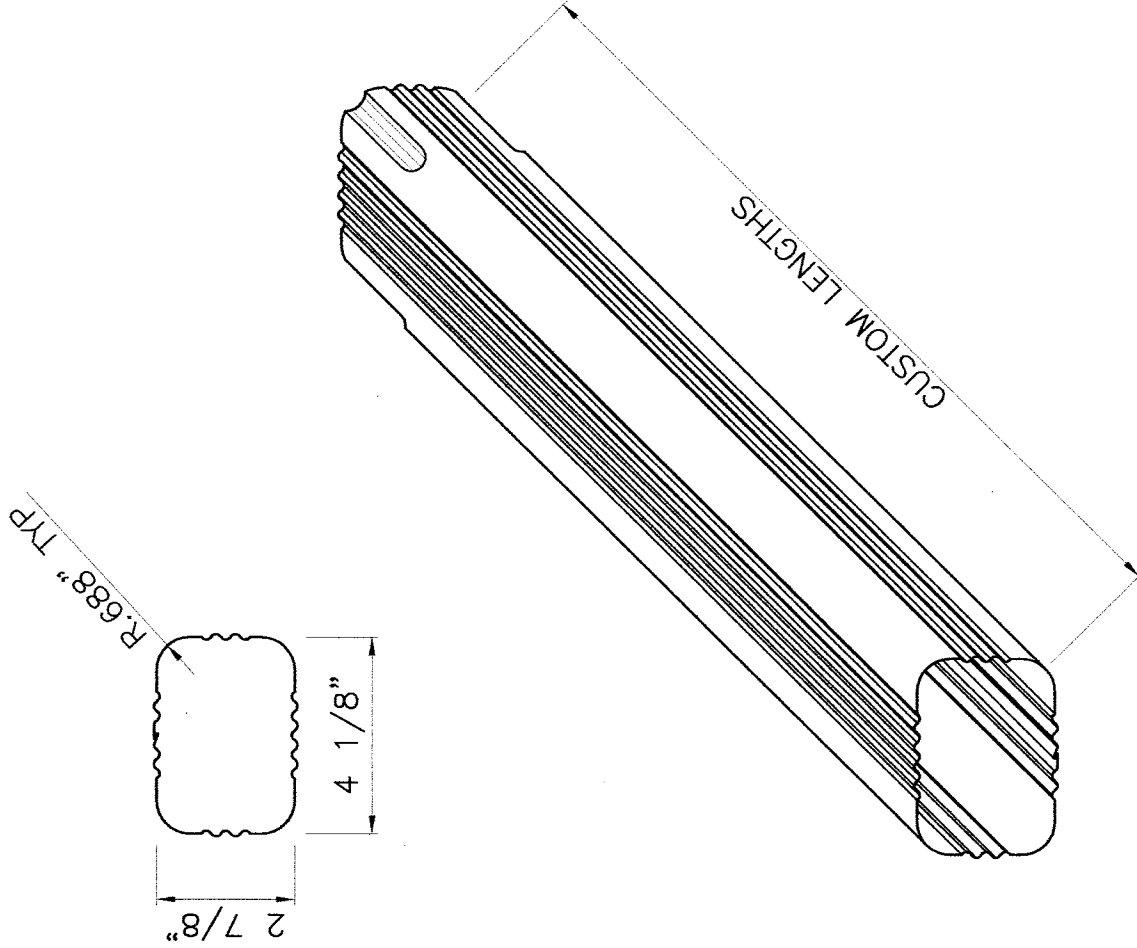
STEEL:  24 GAUGE  26 GAUGE  28/29 GAUGE  
 ALUMINUM:  .032"  .040"  
 COPPER:  16 OUNCE  20 OUNCE  
 STAINLESS:  26 GAUGE  28 GAUGE

METAL FINISH

KYNAR 500/HYLAR 5000<sup>®</sup>  
 SILICONIZED MODIFIED POLYESTER  
 GALVALUME (UNPAINTED)  
 GALVANIZED-G90 (UNPAINTED)  
 MILL FINISH ALUMINUM  
 OTHER: \_\_\_\_\_  
<sup>®</sup> KYNAR 500 IS A REGISTERED TRADEMARK OF ELI AUTOCHEM NORTH AMERICA, INC.  
<sup>®</sup> HYLAR 5000 IS A REGISTERED TRADEMARK OF ALUSIMONT USA.

**ROOF DRAINAGE COMPONENTS & ACCESSORIES, INC**

60 Don Westbrook Ave. N.  
 Jasper, GA 30143  
 Phone: 706-692-7333  
 Fax: 706-692-7335  
 www.roofdrainagecomp.com



ACTUAL DIMENSIONS AND/OR ANGLES MAY VARY SLIGHTLY FROM THOSE DEPICTED.

**3" X 4" DOWNSPOUT**